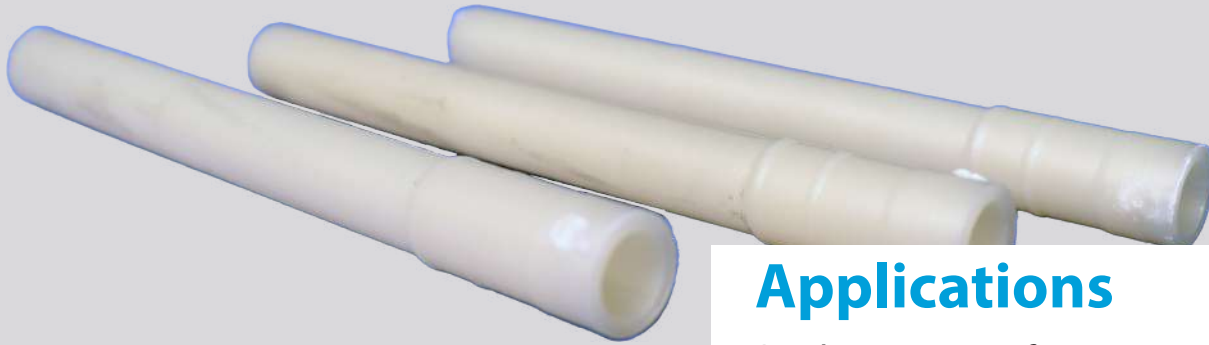


MTI Retrofit Weep™

MRW 3408

The Only **COMPLETE** Retrofit Weep™ System



MTI Retrofit Weep™ (MRW 3408)

Why MTI Retrofit Weeps?

The MTI Retrofit Weep™ system is the one and only **COMPLETE** retrofit weep system. The MTI Retrofit Weep™ allows moisture to exit the brick veneer from the brick cavity to the exterior of the structure. This system is designed to be used with MTI's Retrofit Brick Tie™ system. The MTI Retrofit Weep™ system is an inexpensive alternative solution for a restoration project.

Applications

- ✔ The Weeping of Existing Common Brick Veneers
- ✔ Flood Damage
- ✔ Historical Restoration
- ✔ All Brick Veneer Restoration Projects



The MTI Retrofit Weep™ creates a void for moisture to exit

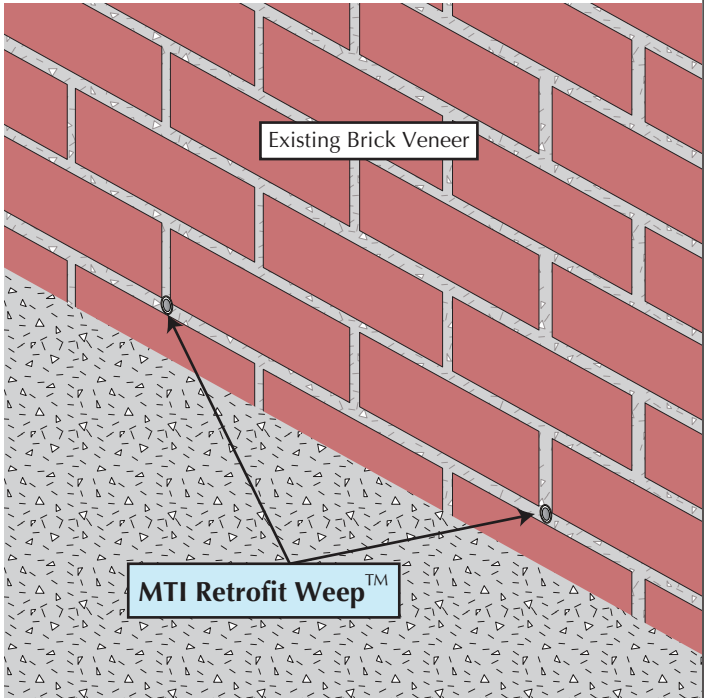
The MTI Advantage

- ✔ The One and Only **COMPLETE** Retrofit Weep System
- ✔ Used in Conjunction with MTI's Retrofit Brick Tie™ System
- ✔ Easy Exterior Installation
- ✔ Retrofit Applications



MTI Retrofit Weep™ used in a brick retrofit application

Complete installation guide and installation video can be found at MTIdry.com/mti-retrofit-weep



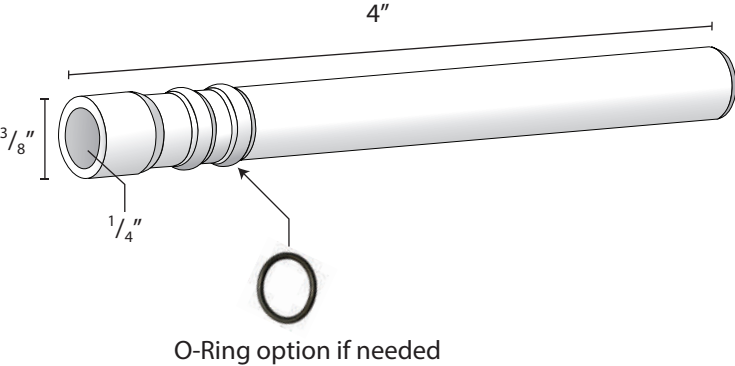
MTI Retrofit Weep™

The Only COMPLETE Retrofit Weep™ System

MRW 3408

Technical Information

Material Description Polypropylene



MTI Retrofit Weep™
MRW 3408
For Brick Veneer Restoration

Pieces Per Box	64
-----------------------	----

Complete installation guide and installation video can be found at MTIdry.com/mti-retrofit-weep

Questions about application, installation or ordering?
MTIdry.com/mti-retrofit-weep

